



Installation Guide

BOARD AND BATTEN &
REVERSE BOARD AND BATTEN



MAC
METAL ARCHITECTURAL

THE LOOK AND
RICHNESS OF WOOD
without the maintenance!



ATTENTION

PROTECTION

The material may contain sharp edges. For this reason, we recommend that you wear the appropriate protective equipment: safety harness, safety boots, hard hat, safety glasses, and gloves.



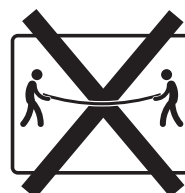
WARRANTY

FOR THE WARRANTY TO BE APPLICABLE, INSTALLATION MUST BE CARRIED OUT IN ACCORDANCE WITH THE STANDARDS SET OUT IN THE UPDATED BUILDING CODE, ALONG WITH THE MANUFACTURER'S RECOMMENDATIONS.

If a problem arises during profile installation, it is important to notify the distributor agent before the installation of 180 sq. ft. (2 boxes) to ensure that the warranty applies, and also to ensure that there are no corrections to be made to the installation surface.

HANDLING

Handle sheets with care. Always lift sheets vertically, not horizontally, to prevent them from bending or warping. Two or more people are recommended, depending on length.



PACKAGING HANDLING

To limit the risk of material breakage, it is important to follow certain rules when handling packaging:

1. Keep movement of materials to a minimum before installation.
2. Always take particular care when transporting panels from one point to avoid bending the panels.
3. Use a forklift with forks adjusted to maximum width to handle panel packs of up to 20 ft.
4. Beyond this length, use a fork-lift truck with boom and loading bar, or a crane.



HANDLING PACKAGES
OF UP TO
MAXIMUM OF 20 FT



HANDLING PACKAGES
OF 20 FT AND OVER

ORDER INTAKE & INSPECTION

It is the customer's responsibility to inspect the order upon receipt. In the event of an error or damage to a panel, it is important to notify the distributor as soon as possible so that the situation can be rectified.

STORAGE

To preserve the aesthetic and physical properties of MAC Metal Architectural Board and Batten & Reverse Board and Batten profiles, it is important to observe certain storage rules.

If panels cannot be installed immediately after delivery, store them indoors in a dry place, on a flat, well-ventilated surface. Keep movement to a minimum to minimize the risk of breakage.

Outdoor storage is the customer's responsibility. If outdoor storage is absolutely necessary, place the panels flat in a location that is not directly exposed to sunlight or extreme temperatures. These factors can cause the protective film to adhere more tightly to the panels, making it difficult to remove and leaving traces of adhesive on the surface of the product when removed. In addition, the accumulation of stagnant water on packaging can contribute to its deterioration, so it's vital to protect your order.

It is important to follow these recommendations:

1. If possible, choose a level, out-of-the-way location where the panels will not interfere with work on the site, and with limited exposure to the sun.
2. Cover the floor with plastic sheeting to prevent moisture from the ground from reaching the panels.
3. Place panels approx. 6 in (152 mm) from the floor to allow air circulation.
4. Raise part of the panels to allow rainwater to run off.
5. Protect the panels with a cloth. Do not use plastic, as this can lead to condensation.

ZIP SYSTEM, INSULATED R-SHEATHING PANELS

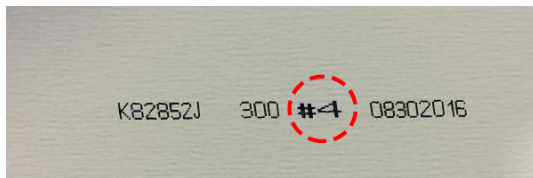
Installation of MAC coatings on Zip System, Insulated R Sheathing or similar dual-composition panels comprising a softer-than-wood compound is not recommended.

This type of panel does not provide a rigid installation base for MAC products and allows warping when exposed to sunlight depending on temperature, which then results in warping of the cladding panels.

WOOD COLLECTION INSTALLATION

All the colors in the WOOD COLLECTION are available in 3 planks of varying hues and shades. Each board is identified on the back by a sequence of bold numbers from 7 to 9, preceded by the pound sign #.

* It's important to pay particular attention to this and to install the planks randomly to optimize the wood effect. Never repeat the same installation sequence to avoid creating a tapestry effect.



1. TOOLS

To get the job done right, you'll need a bending machine or bending pliers, a screwdriver and sheet-metal chisel, sealant, MAC Cutter for Board and Batten & Reverse Board and Batten profiles, metal blade (see recommendations), electric scissors and a MAC bending bar. You'll also need a level and a tape measure.



ROTATING SAW

Cold-cutting rotary saws must be used with a specialized metal blade and in accordance with the manufacturer's recommendations. Please refer to the cutting guide available on our website for details of use.

1.1 ACCESSORIES

Here is a list of accessories for installing and finishing roof profiles:

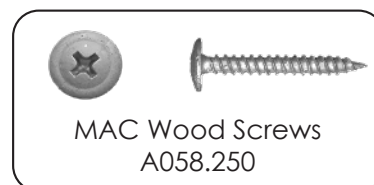
- MAC wood or metal screws, depending on project type
- High-temperature sealing membrane
- Self-adhesive elastomeric membrane
- Steel roll
- Moldings
- Sealant

1.2 MAC SCREW TYPES

The use of MAC screws is highly recommended. In addition to being perfectly adapted to our profiles, they are duly tested and comply with ASTM B-117 2000h.

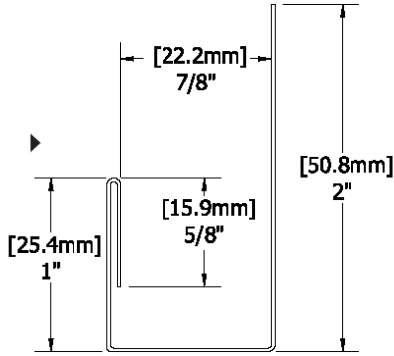
Should any other screw be used, it must comply with ASTM B-117 2000h to support the product's 40-year warranty.

Screw in with moderate contact so as not to interfere with material expansion. Screws must not exert upward or downward pressure to avoid rounding the material.

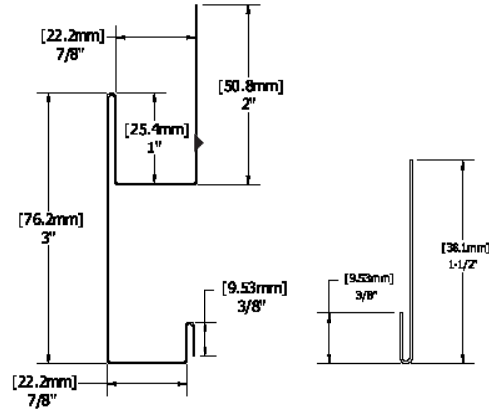


Board and Batten & Reverse Board and Batten | Moldings and Trims

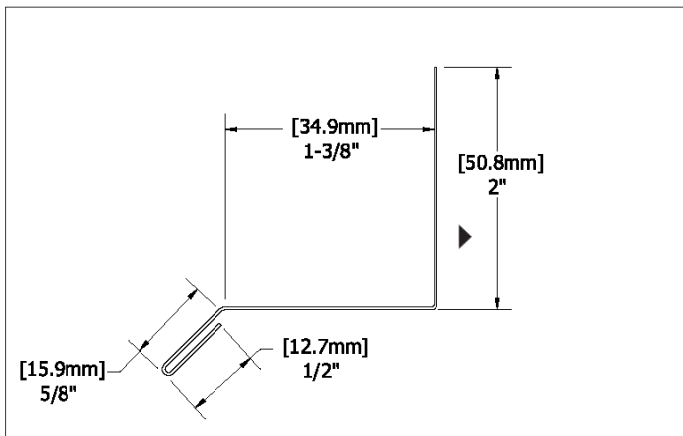
No. M01H
J Trim 1 in



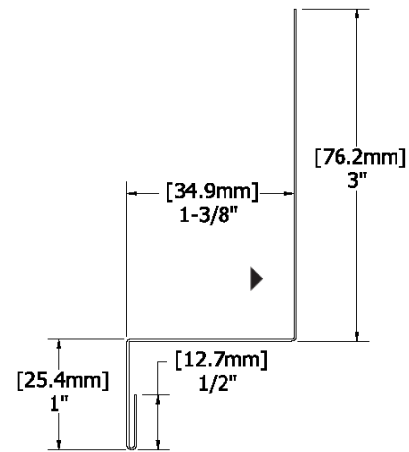
No. M04H
J Trim 3 in



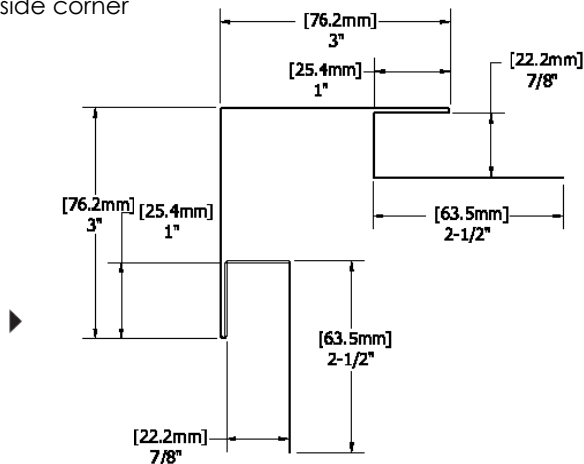
No. M50H.A
Drip flashing



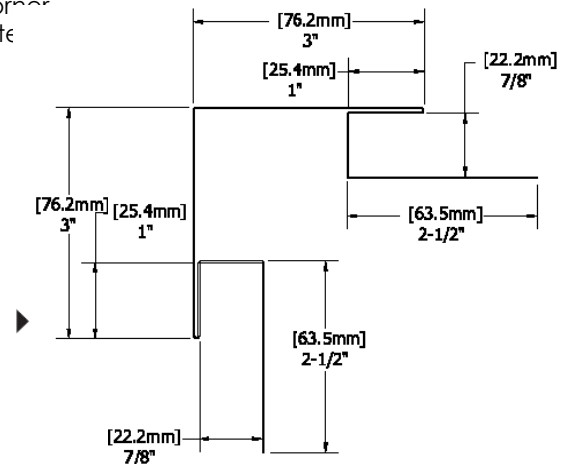
No. M51H.A
Drip flashing w/ 90 degree angle



No. M22H
Inside corner

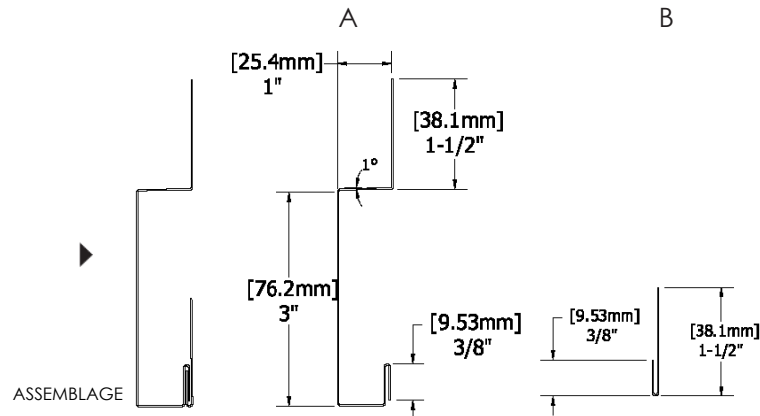


No. M21H
Outside corner
w/ integrate

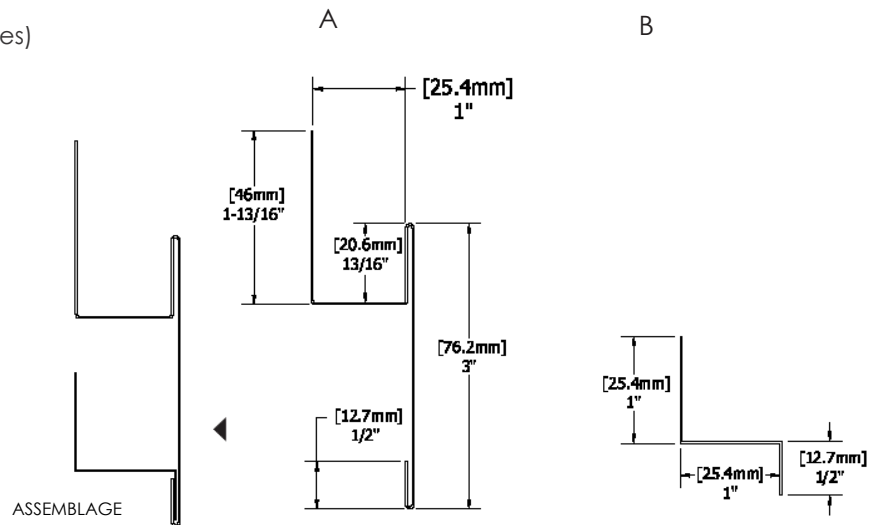


Board and Batten & Reverse Board and Batten | Moldings and Trims

No. M17H
 Bricks transition trim /
 Starter strip 3'' (2 parts)



No. M12H
 Vertical transition trim (2 pieces)



2. INSTALLATION

RECOMMENDATIONS

This installation guide provides general guidelines for the installation of MAC Metal Architectural's non-recessed screw Board and Batten & Reverse Board and Batten profiles. Siding installation should always be performed by a steel siding installation specialist. The information contained in this guide is for informational purposes only and may not be suitable for all building types and/or climatic conditions. The examples given are valid at the time of publication. At all times, please refer to and comply with local building codes and regulations.

MAC Metal Architectural reserves the right to modify the content of this guide at any time, without prior notice. To ensure you always have the most up-to-date information, please consult our website or contact your representative.

INSULATION & VENTILATION

When designing the building, make sure that all components are properly installed, including the ventilation system needed to prevent condensation. Condensation can occur in all types of buildings, and is therefore not unique to buildings made with metal profiles. Poor ventilation can lead to moisture problems and reduced insulation efficiency.

To ensure that the best practices are used for your project, refer to a building insulation and ventilation professional. They'll be able to guide and advise you properly.

BOARD AND BATTEN PROFILE

The Board and Batten is available in 12 in (304.8 mm) x 0.75 in (19.1 mm) x length of 120 in (3 658 mm) or 156 in (3 962.4 mm). It stands out for its timeless, authentic style.



BOARD AND BATTEN - 12 in (304.8 mm) x 0.75 in (19.1 mm) x 120 or 156 in

REVERSE BOARD AND BATTEN PROFILE

The Reverse Board and Batten is available in 12 in (304.8 mm) x 0.75 in (19.1 mm) x length of 120 in (3 658 mm) or 156 in (3 962.4 mm). Its modern styling is unique on the market.



REVERSE BOARD AND BATTEN - 12 in (304.8 mm) x 0.75 in (19.1 mm) x 120 ou 156 in

WOOD OR STEEL FURRING

Depending on construction standards in your region, wood or steel furring may be required. This guide shows you how to install MAC cladding on wood furring. However, if your region's standards do not require it, it's up to you to decide whether or not to install it. In this case, installation can be carried out directly on the recommended rigid surface covered with a weather barrier.

CREATING AN INSTALLATION TEMPLATE

Prior to installation, we recommend that you calculate the width of the wall where you'll be installing the panels, so that you can create an installation template, if you haven't already done so, based on the size of the panels, and determine which sections will require cut panels.

3. MOLDING OPTIONS

With the Board and Batten profile, you have many different molding options that will allow you to create different looks.

OPTION 1
3'' Molding



OPTION 2
1'' Molding



OPTION 3

You can also select a combination of 3'' and 1'' molding depending on the specifications of your project. This will allow you to create a unique look adapted to your needs and/or your client's taste.

THE CUTS

Use a MAC cutter adapted to the chosen profile to make the cuts. For further information on the other recommended cutting methods, please refer to the cutting guide available on our website.

4. INSTALLATION

PLASTIC FILM

Each sheet is covered with a plastic film designed to prevent damage to the surface during handling, transport or installation.

It is important to remove the plastic film BEFORE installing the mouldings and sheets, to prevent it from becoming trapped during assembly.

Make sure your walls are square before you start installing siding.

PREPARING A WALL

A. FURRING INSTALLATION

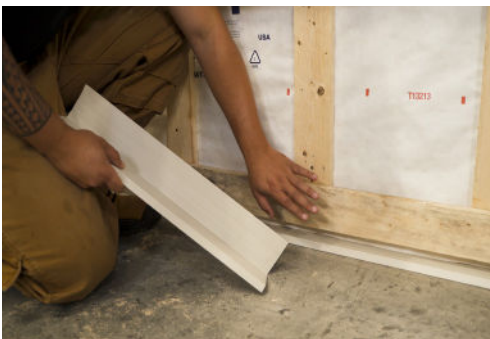
It is strongly recommended to install the Board and Batten profile on a double furring 16'' to 24'' on center (one furring on the vertical and a second one on the horizontal). Only in the event that they are recommended by the construction standards in effect in your region.



MOLDING INSTALLATION

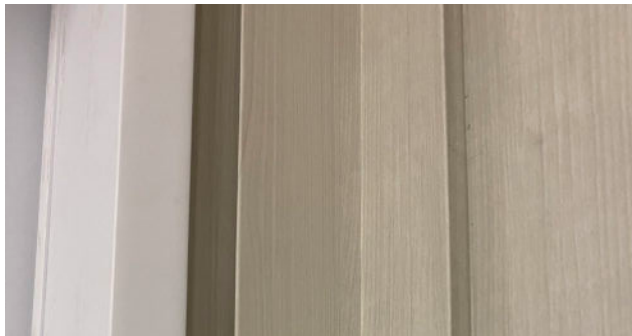
B. INSTALLING THE DRIP FLASHING AT THE BOTTOM OF THE WALL

It is important to install the M50H drip flashing directly on the weather/moisture barrier. Then, depending on the option chosen, proceed with the installation of the brick transition molding/ starter strip 3'' if choosing OPTION 1, or if choosing OPTION 2, directly install on the drip flashing.



C. INSIDE CORNER

Measure the desired length from the top to the bottom of the wall. Then, use this measurement to cut the inside corner and put it in place.



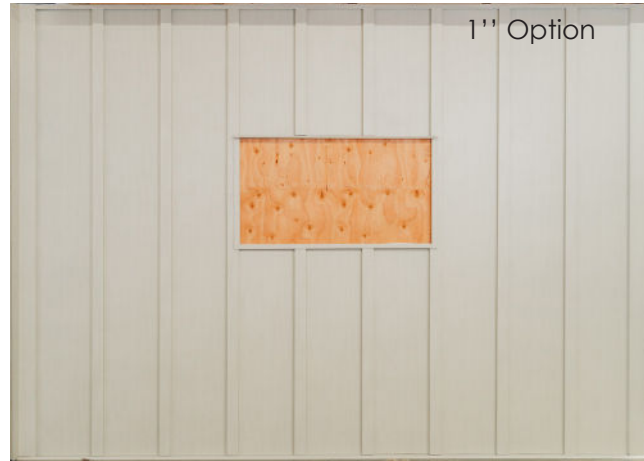
D. OUTSIDE CORNER

Measure the desired length from the top to the bottom of the wall. Then, use this measurement to cut the molding and install the outside corner in place.



D. INSTALLING A PANEL

Before installing a panel, take the measurement from the top of the wall. Cut the J-Trim to this measurement and fasten it in place with screws (Option J-Trim 1" or J-Trim 3").



To facilitate the installation of the panels, start by inserting the male part into the female part from the top to the bottom of the panel. Once the panel is in place, secure it with screws every 16 to 24 inches.

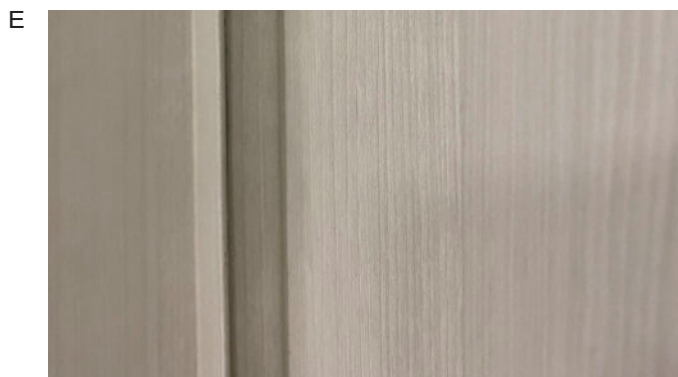
- A. First, place the top of the panel into the J-Trim.
- B. Make sure the panels are well fastened with screws. There should always be 10" between the battens.
- C. Secure the panel with MAC screws.
- D. Watch the installation videos on the MAC Metal website or on the YouTube channel.



CUTTING AND FINISHING PANELS AT THE END OF THE WALL - STEP 3

You may need to cut the panels to complete your wall and finish in a J-Trim, an exterior corner, or an interior corner. If so, it is important to cut the panel $\frac{3}{4}$ " wider than the intended width, and bend this $\frac{3}{4}$ " at 90 degrees towards the outside of the wall (if the wall is highly exposed to the wind, you can add a sealant to prevent the panel from coming loose).

- A. Take the desired width measurements.
- B. Cut the panel, adding $\frac{3}{4}$ " more than the expected width.
- C. Fold the panel with a folding tool at 90 degrees to the outside of the wall.
- D. If the wall is highly exposed to the wind, you can add a sealant to prevent the panel from coming loose.
- E. You also have the option of adding a batten trim filler (M06H) in the J-Trim. This will create a batten effect inside the trim.
- F. Watch the installation videos on the MAC Metal website or on the YouTube channel.

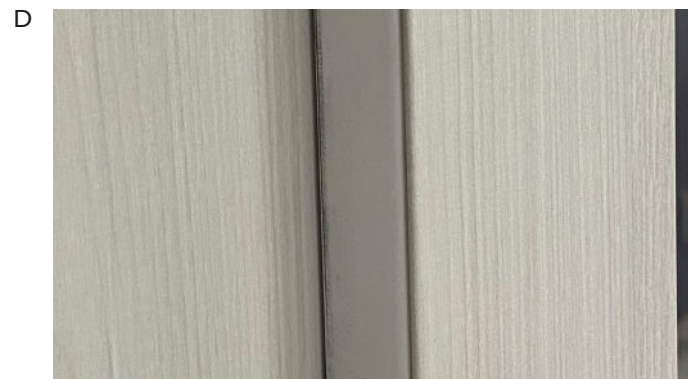


AROUND AN OPENING - STEP 4

The next step is to proceed with the installation of the moldings for the contour of an opening. To do this, you will need to take the measurements of the opening. Then, cut the drip flashing for the top, then cut a J-Trim to make the two sides and the bottom.

For the top of the window, it is important to make a double fold and cut the excess off the ribs. Install the moldings around the opening to form a frame for your panels.

- A. Take your measurements.
- B. Install the moldings in place.
- C. Cut the panel to the required size.
- D. You also have the option of adding a batten trim filler (M06H) in the J-Trim. This will create a batten effect inside the trim.
- E. Watch the installation videos on the MAC Metal website or on the YouTube channel.





For more information on the installation of the Farmhouse Series, visit the PRO section of our website, MACmetalarchitectural.com or our Youtube Chanel.

You will find a bank of technical information on the profile, such as a series of installation videos, molding guides as well as access to technical drawings.



MAC Metal Architectural
5975 Ch. de la Savane,
Saint-Hubert, QC J3Y 0X1
T. 450 464-5486 | T F. 450 464-4538
info@MACmetalarchitectural.com
MACmetalarchitectural.com